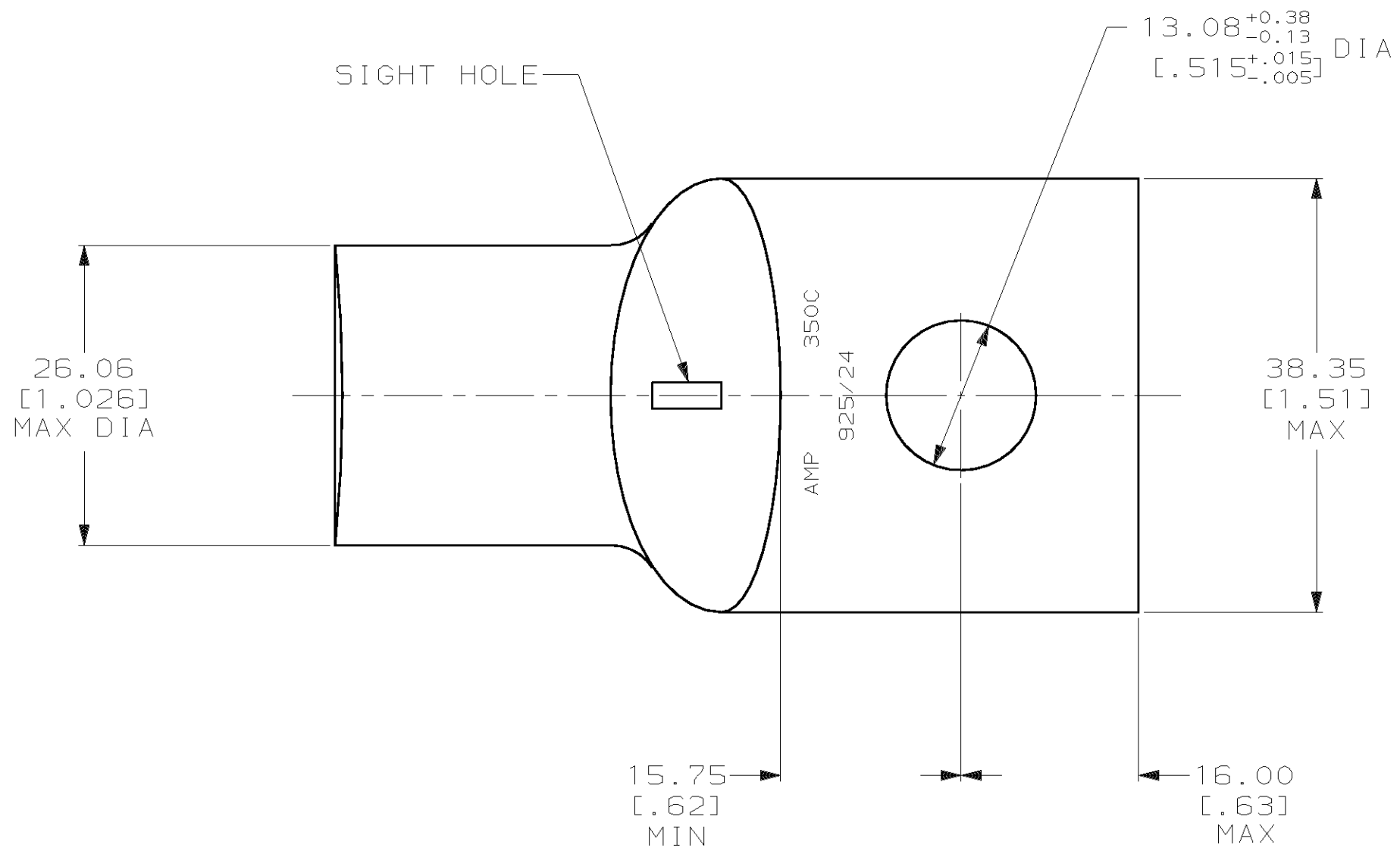
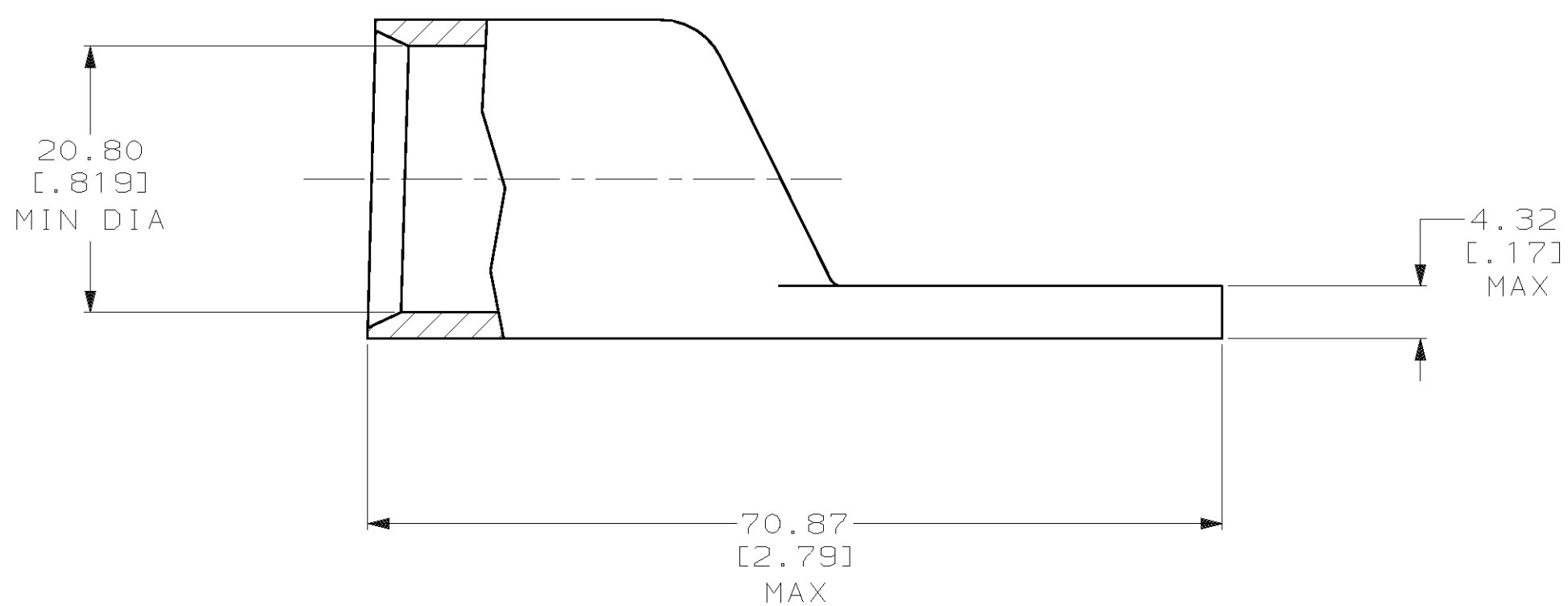


THIS DRAWING IS UNPUBLISHED. RELEASED FOR PUBLICATION ,19 .
 © COPYRIGHT 19 BY AMP INCORPORATED. ALL INTERNATIONAL RIGHTS RESERVED.

LOC		DIST		P		F		ZONE		LTR		REVISIONS		DATE	APPD
G		86								L		REV PER 063A-0561-01		08OCT02	JR



1 CIRCULAR MIL AREA RANGE: 325-375 MCM
 2 TIN PL 0.00381 [.000150] MIN THK PER MIL-T-10727



METRIC

DO NOT SCALE PRINT. UNLESS SPECIFIED DIMENSIONS IN mm [INCHES] TOLERANCES ON : 2 PLC DEC ± 0.51 [.020] 3 PLC DEC ± - ANGLES ± -		DR 02/28/90 DK SCHRUM	AMP INCORPORATED Harrisburg, Pa. 17105	
MATERIAL ANNEALED COPPER ASTM B-75		CHK 23JAN95 MS FEHER		
FINISH △		APPD 23JAN95 WJ VOCKROTH	NAME TERMINAL, AMPPOWER™ WIRE SIZE: 350MCM	
APPLICATION SPEC -		APPD 23JAN95 TL SHUTTER	PRODUCT SPEC 108-30200	SIZE C
WEIGHT .188 LB		APPLICATION SPEC -	SCALE 2:1	CAGE CODE 00779
			DRAWING NO 325905	SHEET 1 OF 1